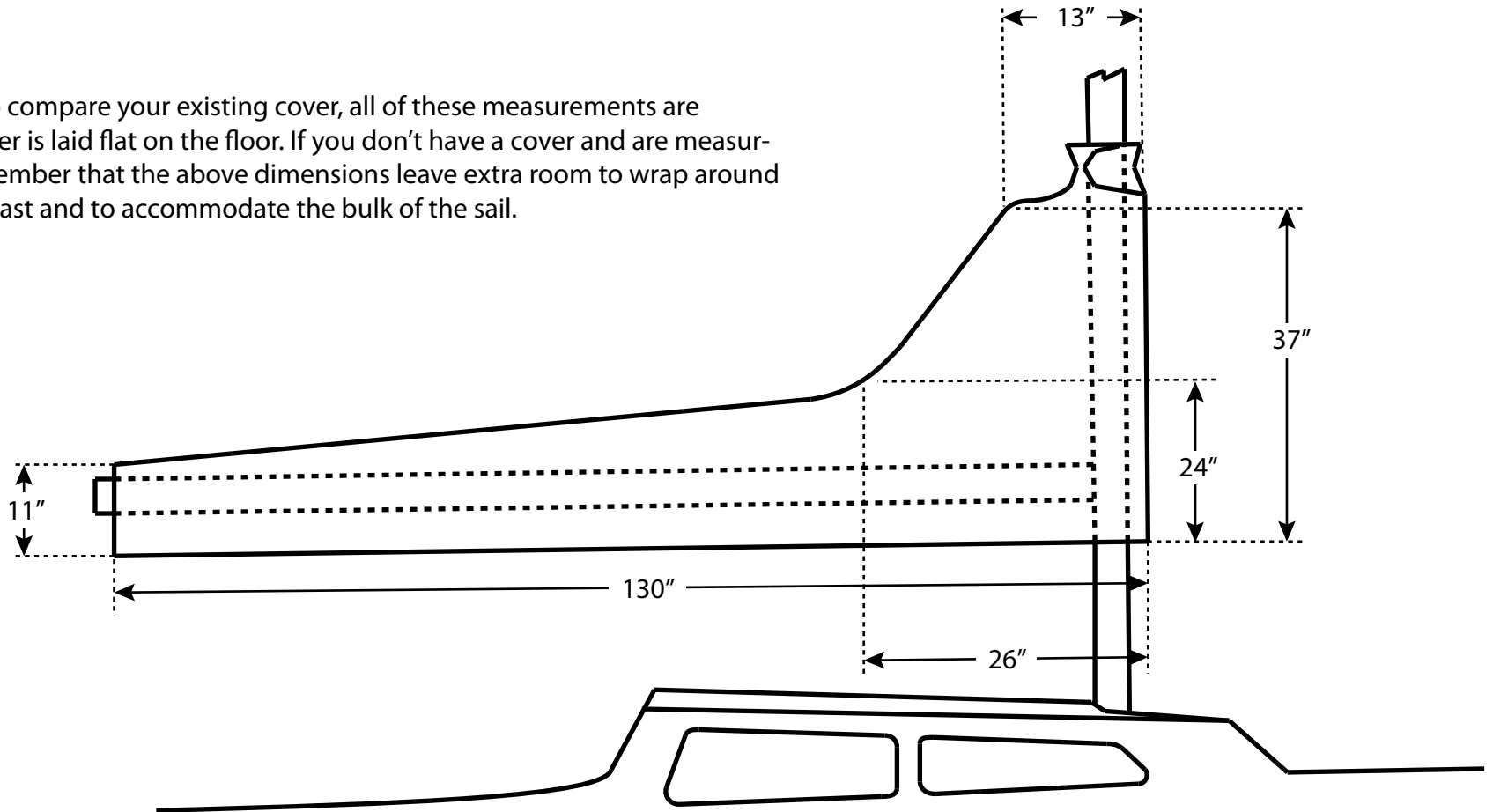


To make it easy to compare your existing cover, all of these measurements are assuming the cover is laid flat on the floor. If you don't have a cover and are measuring the boat, remember that the above dimensions leave extra room to wrap around the front of the mast and to accommodate the bulk of the sail.



Please note that these covers are all made by hand, and the dimensions can vary slightly from one to the next, so allow for a small variance in these dimensions. The cover is designed to cover the sail only, so the end of the boom may be exposed.