



Catalina Direct

8 0 0 - 9 5 9 - S A I L

REQUIRED:

Boat Year: _____

Hull #: _____

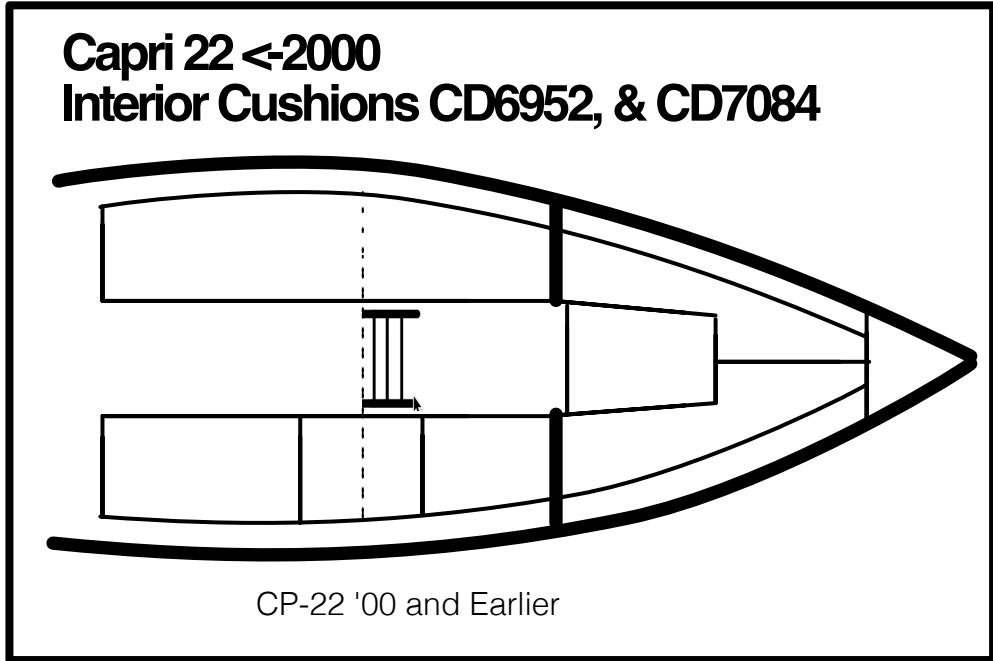
My boat has 7 cushions: YES

I am ordering the cloth cushion set:

CD6952: YES Fabric Choice: _____ or,

I am ordering the vinyl cushion set:

CD7084: YES Piping Color: _____



IMPORTANT NOTES:

Snap locations are not guaranteed to match the original cushion's snaps due to numerous changes to boats and cushion patterns over the years. For your convenience additional male snaps are included for you to install on your boat as desired to match the new cushion's female snaps. Leave the old snaps in place, hidden behind the cushions, where no one will mind.

SPECIAL ORDER ITEM:

This is a special order item; **your order cannot be cancelled, changed, or returned once your order is accepted. A 50% nonrefundable deposit will be billed when your order for this item is accepted.** The balance will be billed to the same credit card as soon as the cushions are complete and available to ship. Complete your order by agreeing to these terms and signing at right.

I, _____ certify that
printed name

the information given by me is correct and I understand and agree to all of the terms detailed on this page.

x _____
signature

Date _____