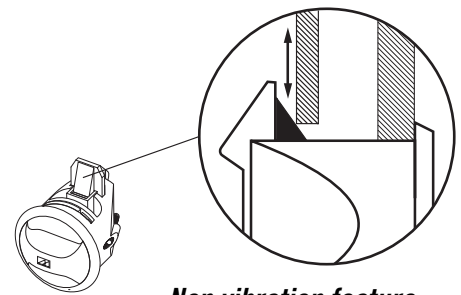


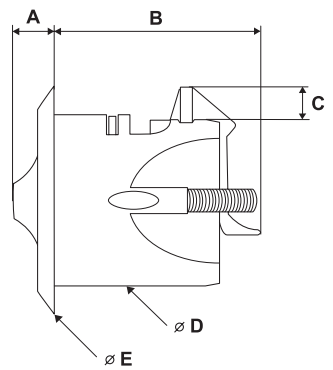
PANEL THICKNESS RANGE: 3 – 22mm (1/8" – 7/8")

The Novibra is designed for hatches, doors, cockpit lockers, and similar type applications. The Novibra helps eliminate noise in the hatch, doors or drawers caused by engine vibration.

- **Fast, easy installation**
- **Weatherproof face**
- **Long bolt travel with an adjustable striker plate**

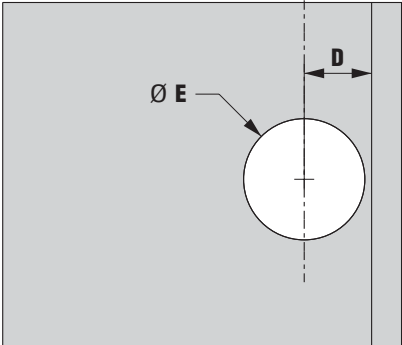
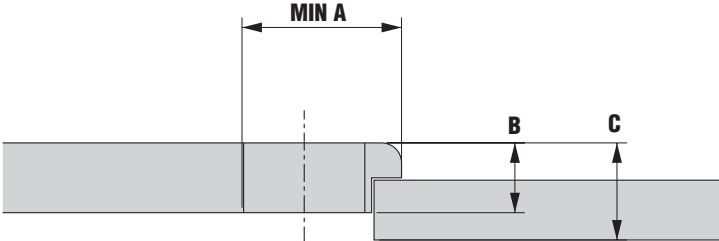


Non vibration feature



	Imperial		Metric
	Nominal	Decimal	
A	15/32	.472	12
B	1 3/4	1.752	44.5
C	13/32	.406	10
D	1 1/2	1.5	38
E	1 3/4	1.76	44.7

Panel Preparations



	Imperial		Metric
	Nominal	Decimal	
A	2	2	50
B min.	1/8	.118	3
B max	7/8	.875	22.5
C min.	7/8	.875	23
C max	1 5/16	1.313	33
D	1 7/32	1.219	31
E	1 33/64	1.516	38.5

Installation

