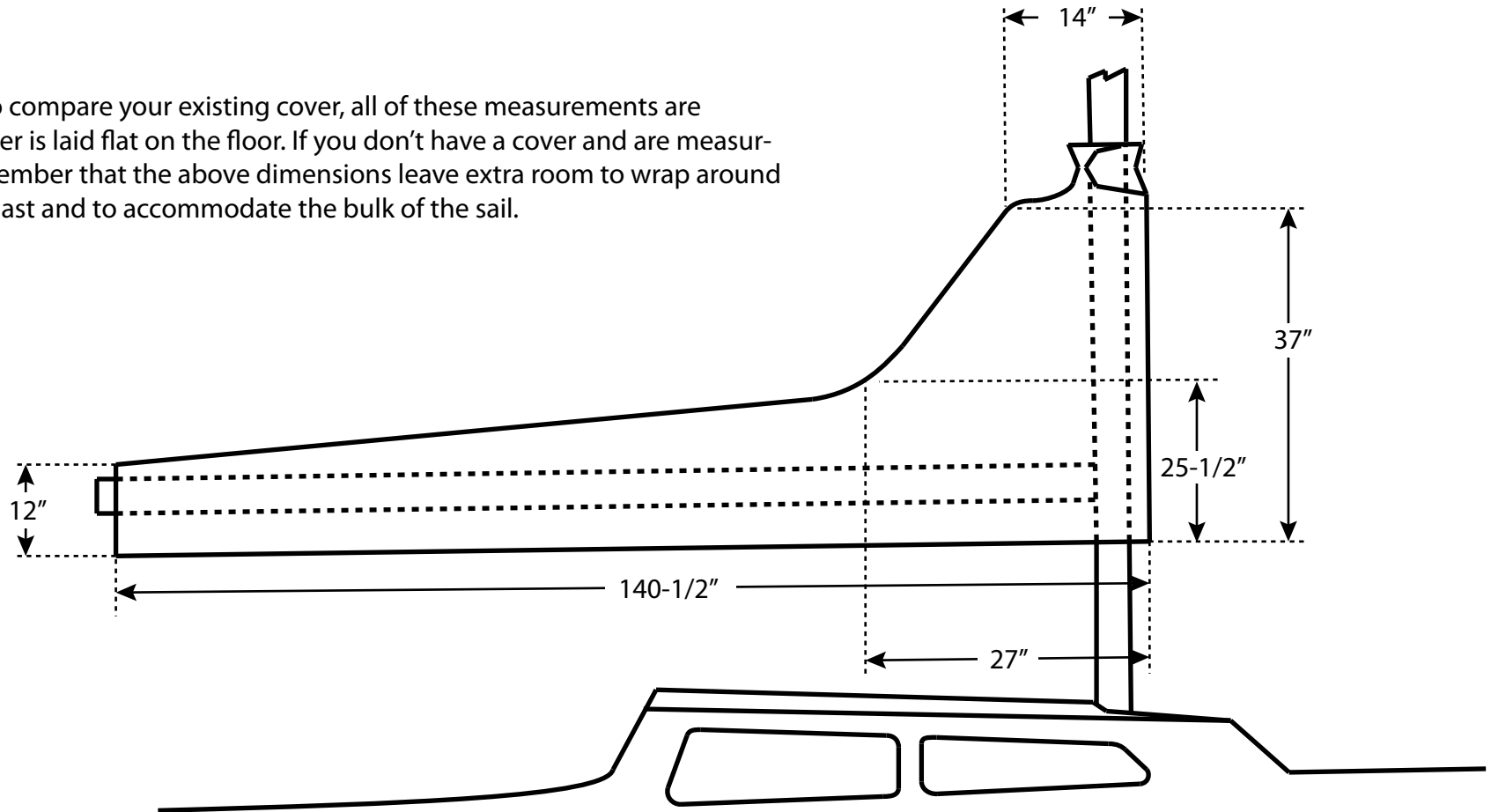


To make it easy to compare your existing cover, all of these measurements are assuming the cover is laid flat on the floor. If you don't have a cover and are measuring the boat, remember that the above dimensions leave extra room to wrap around the front of the mast and to accommodate the bulk of the sail.



Custom color choice: _____ Custom color number: _____

This is a special order item; your order cannot be cancelled or returned once your order is accepted, so please choose and measure carefully. Complete your order by agreeing to these terms and signing at right.

Please note that these covers are all made by hand, and the dimensions can vary slightly from one to the next, so allow for a small variance in these dimensions. The cover is designed to cover the sail only, so the end of the boom may be exposed.

I, _____ certify that the dimensions of
printed name
the sail cover as shown in this drawing will work for my boat.

X _____
signature

Date _____