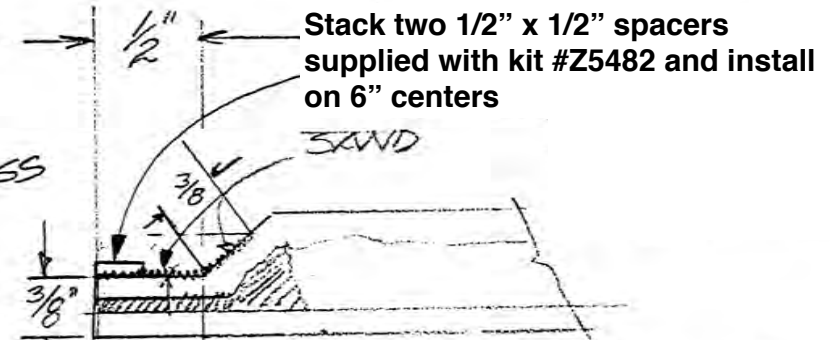
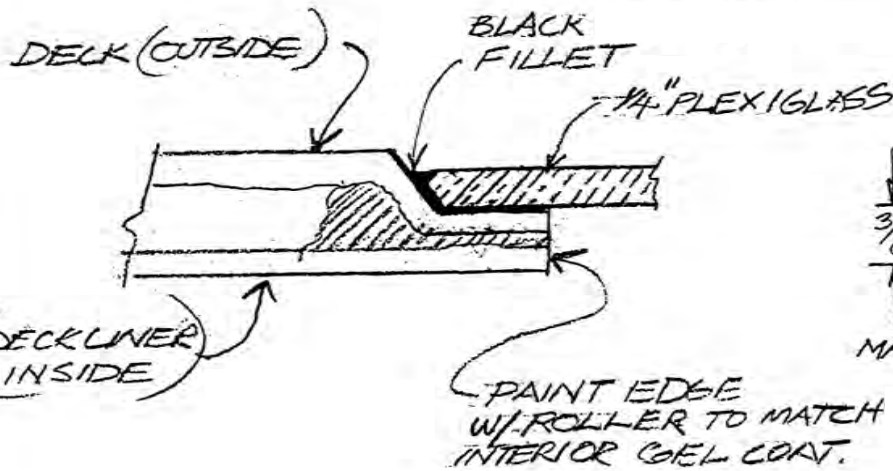
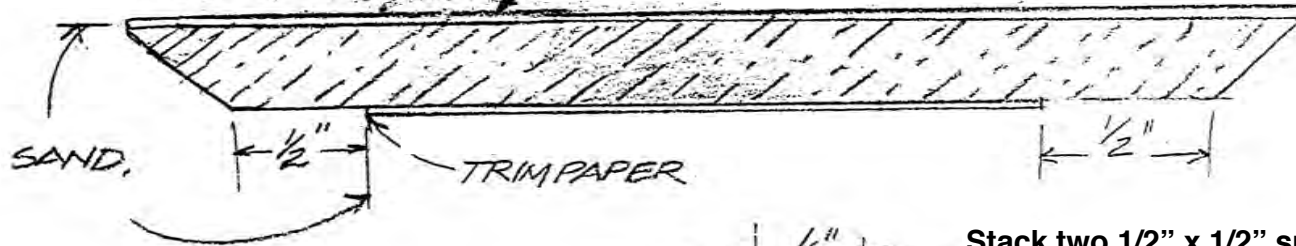


DO NOT REMOVE PAPER
COVER UNTILL INSTALLATION
IS COMPLETE.



Stack two 1/2" x 1/2" spacers
supplied with kit #Z5482 and install
on 6" centers

- 6) MASK INSIDE EDGE OF CUT OUT
AND EDGE OF RECESS TO REDUCE
CLEAN-UP REQUIRED
- 7) PLACE BLACK SPACERS AS
SPECIFIED ABOVE ON EDGE OF CUT-OUT
- 8) COAT DECK OPENING EDGE W/
APPOX 1/8" SEALANT.
- 9) CLAMP OR TAPE PLEXI WINDOW
IN PLACE UNTILL SEALANT IS CURED.

- 1) ROUTER CUT HOLE
W/ JIG.
- 2) FILL VOIDS BETWEEN DECK
AND DR. LINER, 3/8" THICK MAY
MUST BE EVEN THICKNESS.
- 3) CLEAN AREA OF FIBERGLASS
TO BE GLUED WITH SOLVENT.
- 4) WET SAND FIBERGLASS WITH
180 GRIT PAPER
- 5) WET SAND AREA OF PLEXIGLASS
TO BE GLUED WITH 180 GRIT PAPER.

PAINT EDGE
W/ ROLLER TO MATCH
INTERIOR GEL COAT.

CATALINA YACHTS INC.
21200 WOODRIDGE DR.
WOODLAND HILLS, CA

SCALE: NONE

APPROVED BY:

DRAWN BY ED

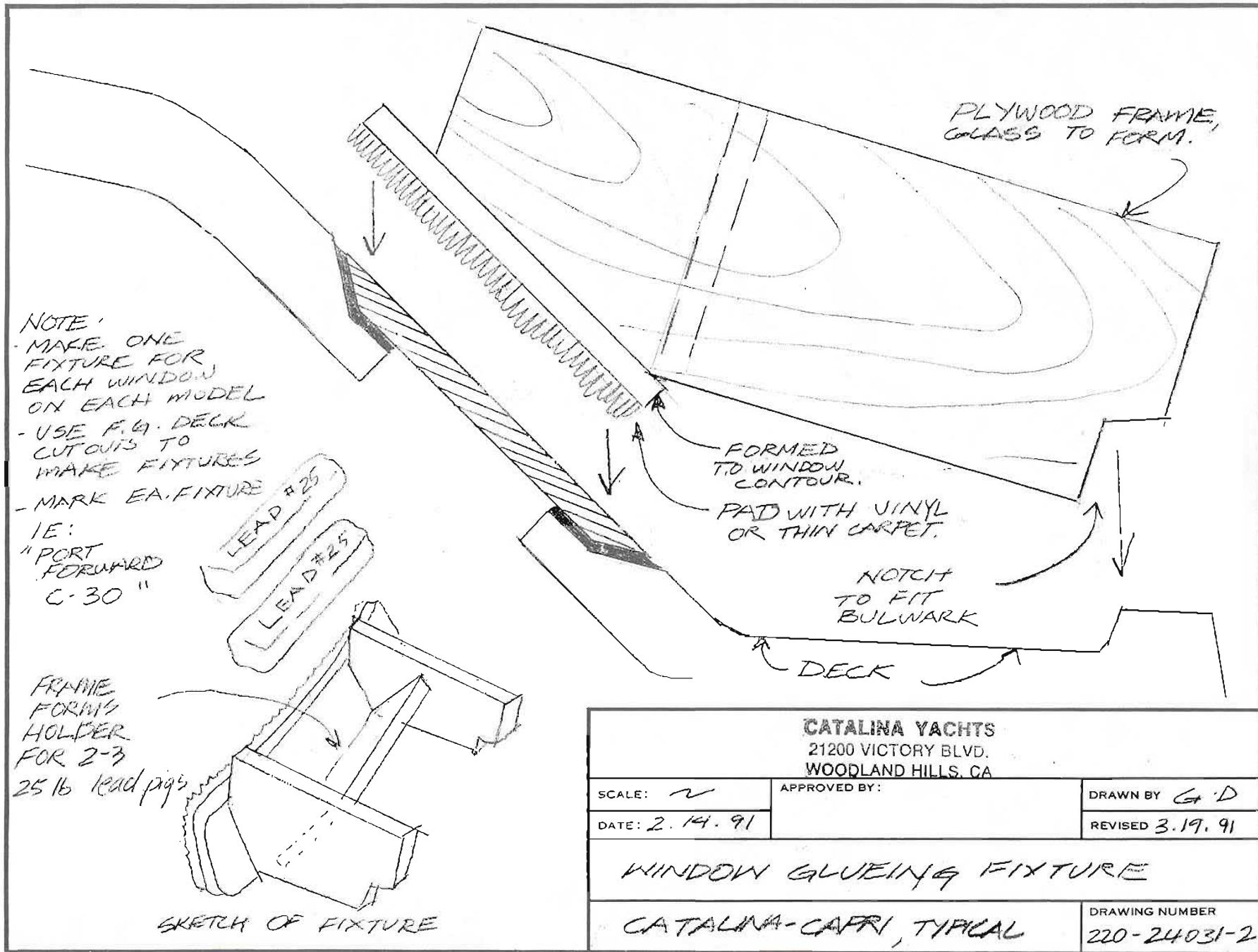
DATE: 1-31-83

REVISED 5.7.96

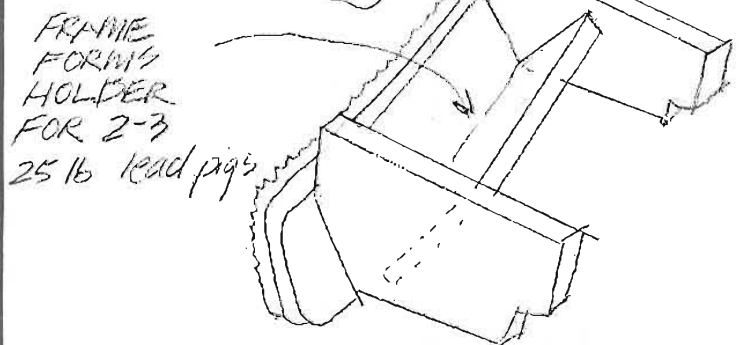
WINDOW INSTALLATION, PLEXI

TYPICAL

DRAWING NUMBER
270-26005.6



NOTE:
 - MAKE ONE
 FIXTURE FOR
 EACH WINDOW
 ON EACH MODEL
 - USE F.G. DECK
 CUTOUTS TO
 MAKE FIXTURES
 - MARK EA. FIXTURE
 IE:
 "PORT
 FORWARD
 C-30"



SKETCH OF FIXTURE

FRAME
 FORM'S
 HOLDER
 FOR 2-3
 25 lb lead pigs

CATALINA YACHTS 21200 VICTORY BLVD. WOODLAND HILLS, CA		
SCALE: 2	APPROVED BY:	DRAWN BY G.D
DATE: 2.14.91		REVISED 3.19.91
WINDOW GLUEING FIXTURE		
CATALINA-CAPRI, TYPICAL		DRAWING NUMBER 220-24031-2