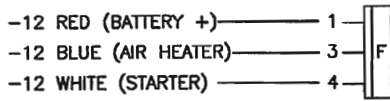
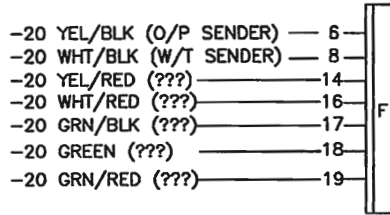
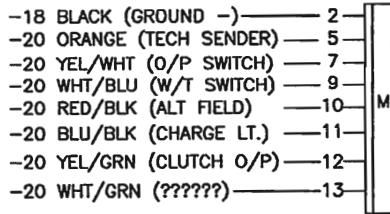


YANMAR ENGINE HARNESS

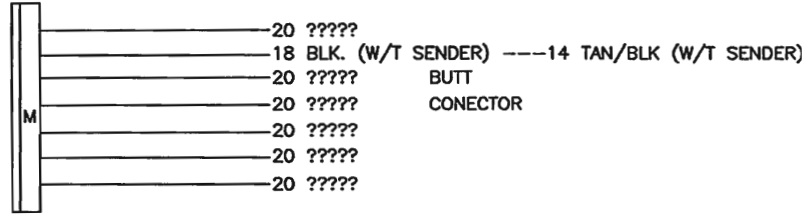
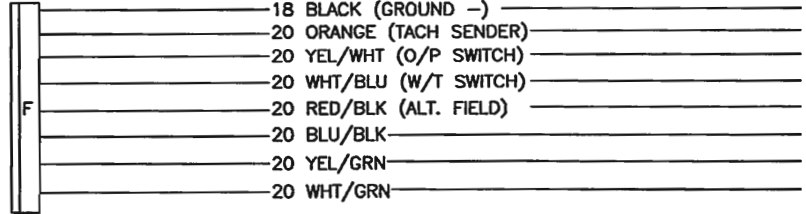
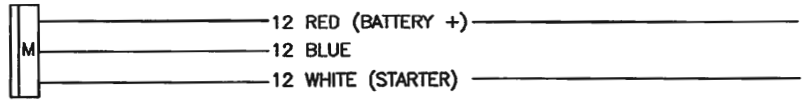


YANMAR WIRE NUMBERS

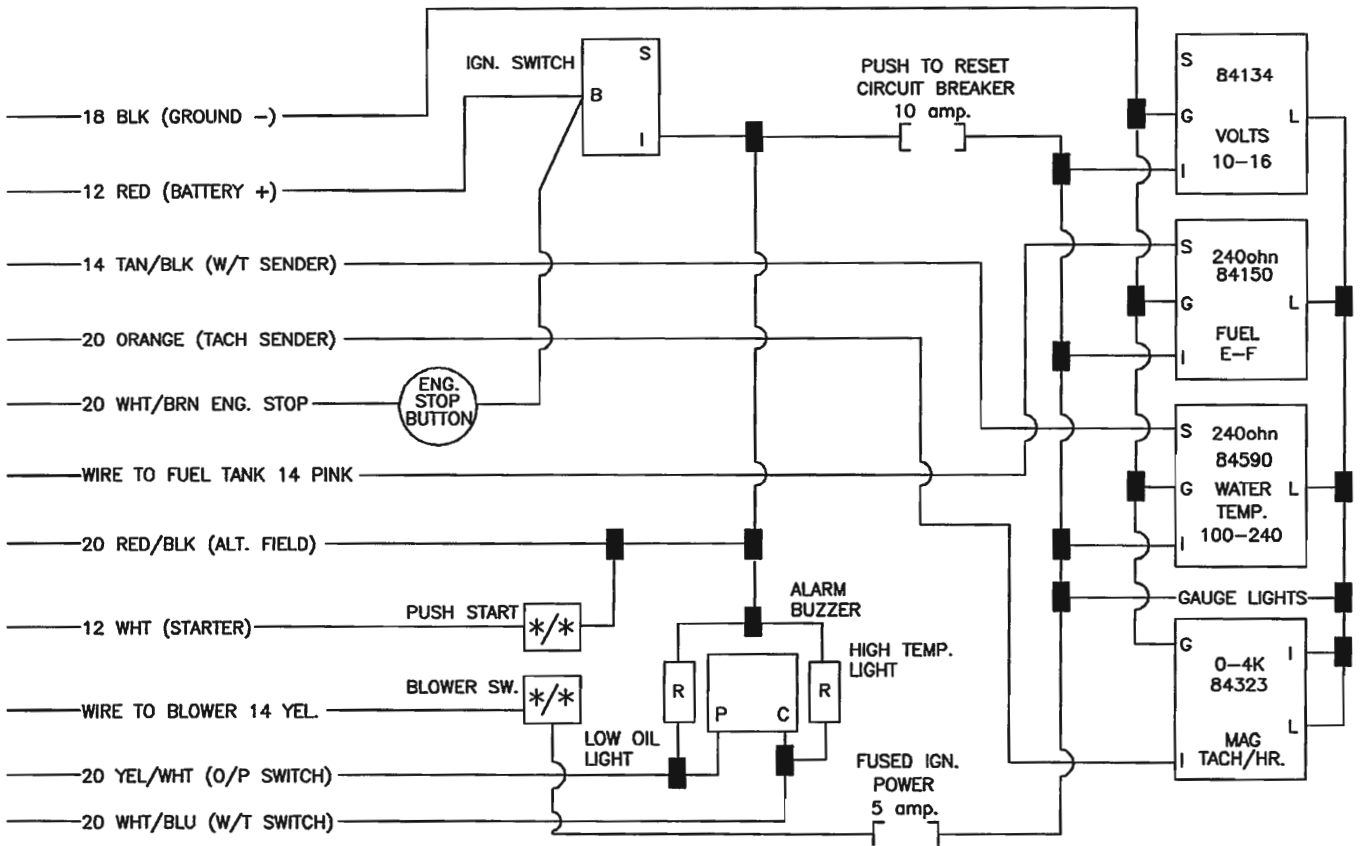


PANEL PIGTAIL HARNESS, 1' LONG

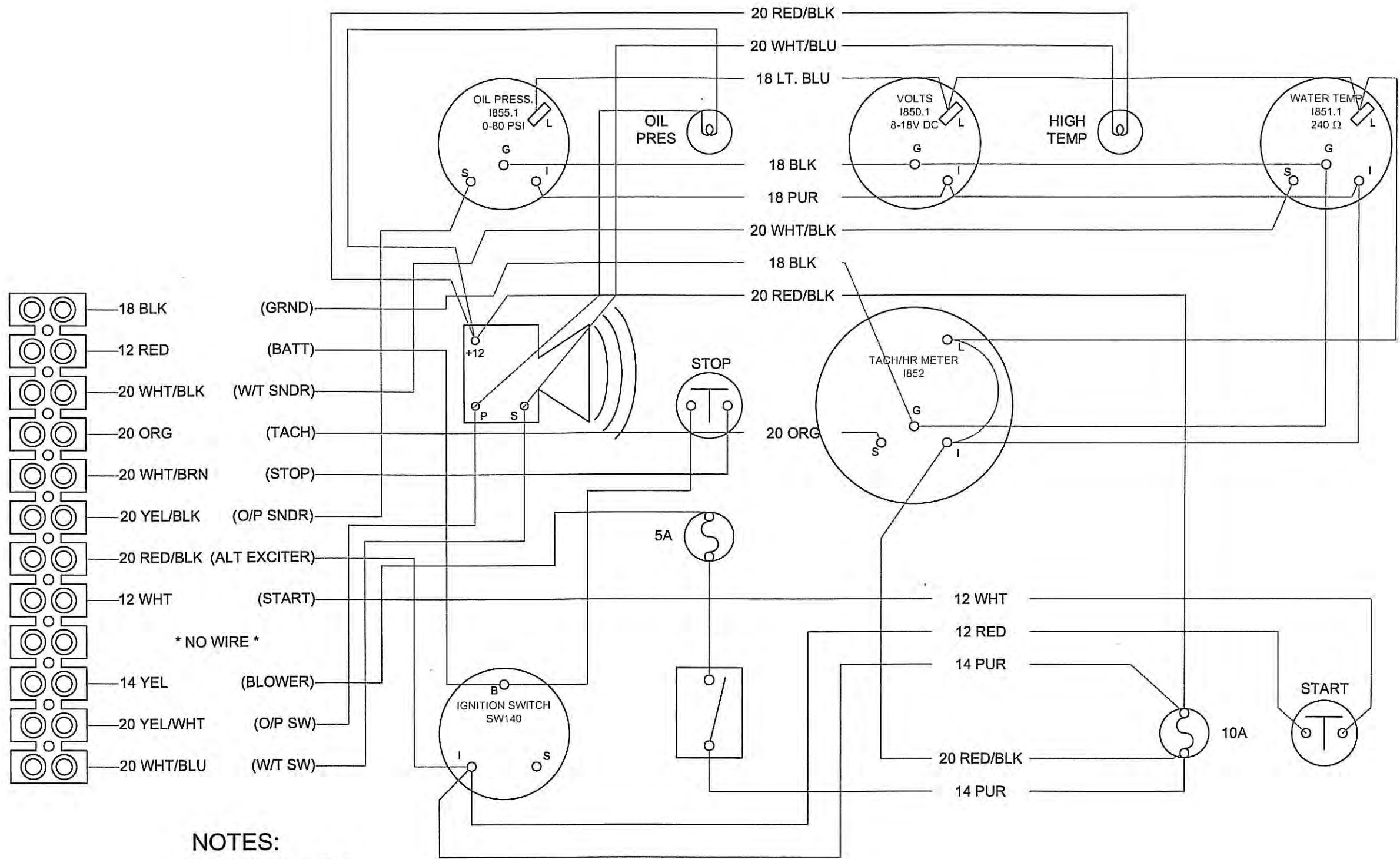
THIS END CONNECTS TO THE ENG. PANEL.



-20 WHT/BRN (ENG. STOP) -20- M BULLET CONNECTOR



FACTORY TACH. CALIBRATION
 FOR 4JH (127 TEETH)
 SET TESTER SWITCH TO 3200,
 AND ADJUST THE TACH CAL.
 SCREW TO INDICATE 1500 RPM.



NOTES:
 1.) 19" PIGTAIL
 2.) TACH CALIBRATION:
 FLYWHEEL PICKUP
 127 TEETH
 1500 RPM @ 3200 Hz