

SeaEra™

FLOOR TEMPLATE

Printing and

Assembly

Instructions.

MODELS:

162MF0 AND 162HF0****

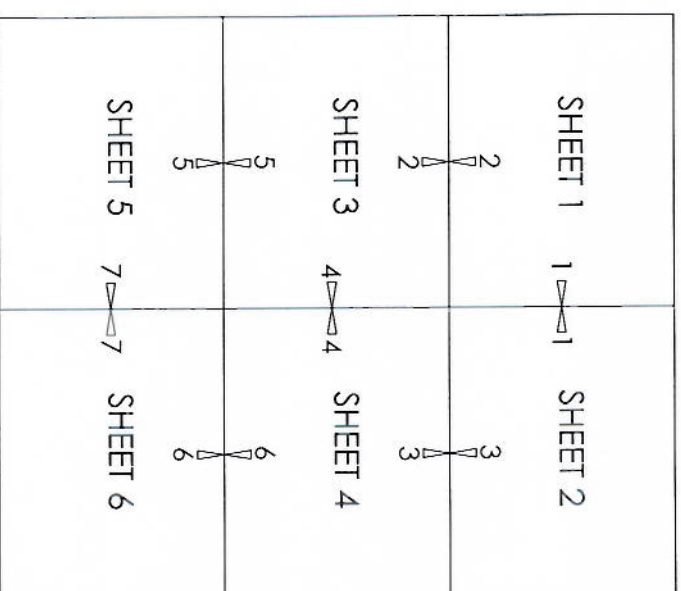
⚠️ IMPORTANT:

INSTRUCTIONS FOR PRINTING AND ASSEMBLING TEMPLATE.

1. Template is PDF format, for 8 1/2 x 11" paper.
2. Page Scaling: MUST PRINT FULL SCALE (1:1)
3. With scissors, cut on 'Dashed Lines'.  - - - - -
4. Align sheets accordingly using Dashed Lines and corresponding Alignment Arrows and tape together.
5. Check that printed template is the correct scale (size) by measuring at the CHECK POINT on template (lower left). You should measure 7" (178mm).

⚠️ IMPORTANT:

1. DO NOT DRILL OR CUT HOLES FROM THIS TEMPLATE. FOR REFERENCE ONLY,
2. REFER TO INSTALLATION MANUAL FOR INSTALLATION DETAILS.
3. CHINA BOWL DIMENSIONS CAN VARY +/-5%. CONSIDER THIS WHEN INSTALLING.
4. DIMENSIONS ARE: INCHES [MM]



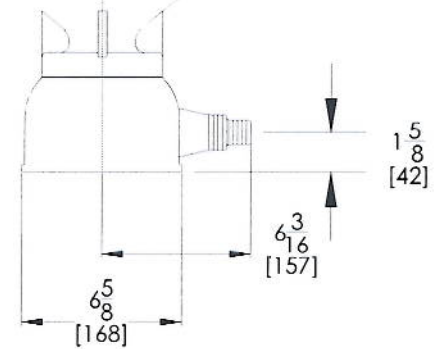
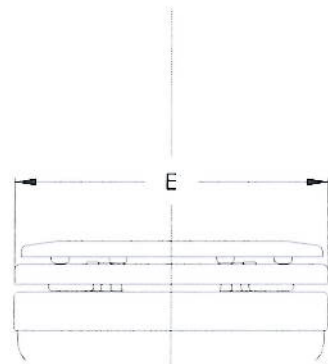
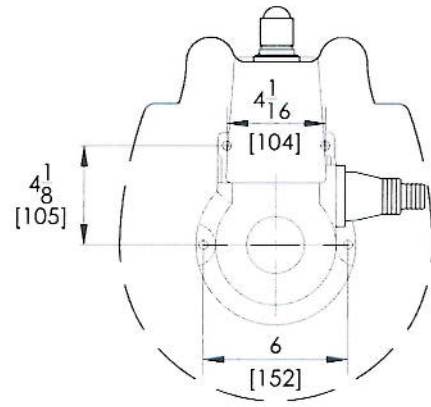
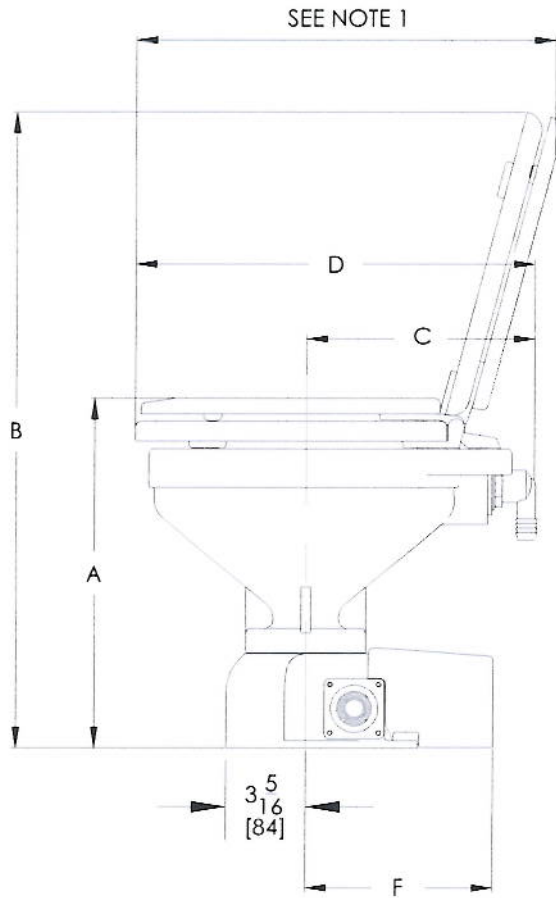
WWW.PARITANENG.COM

SeaEra™

MODELS: 162



WWW.RARITANENG.COM



BOWL TYPE	A	B	C	D	E
MARINE	14 1/2 (368)	26 1/2 (673)	10 3/8 (264)	17 1/4 (438)	13 (330)
HOUSEHOLD	14 7/8 (378)	29 5/8 (752)	11 1/2 (292)	20 (508)	14 3/8 (365)

INTAKE	F
PRESSURIZED FRESH WATER	8 7/8 (225)
REMOTE PUMP	7 13/16 (199)

INCHES
(MM)

NOTE:

1. THE SEAT WILL OPEN WITHIN THE DEPTH OF THE BOWL (D), HOWEVER, IT MAY BE DESIRABLE TO INCREASE THIS ANGLE BY ALLOWING MORE ROOM AT THE BACK OF THE BOWL FOR THE SEAT TO OPEN.
2. DIMENSIONS ARE FOR REFERENCE AS VITREOUS CHINA DIMENSIONS MAY VARY +/- 5%.

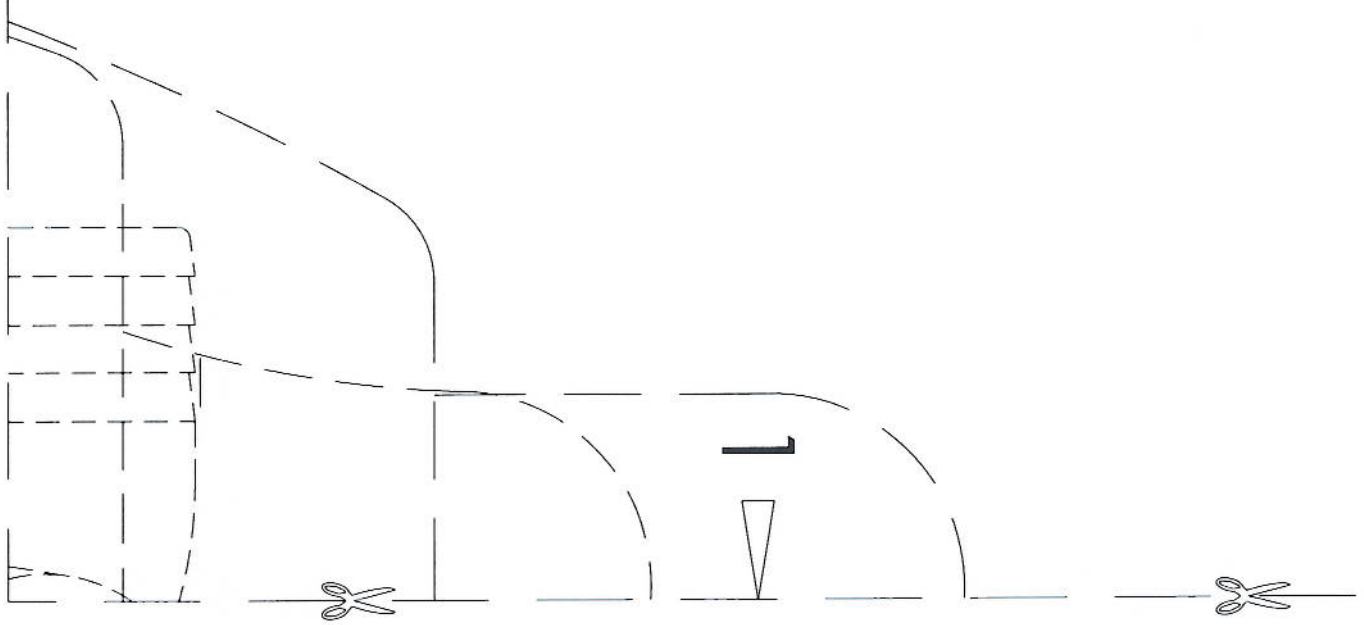
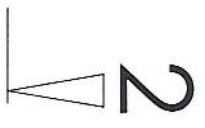
SeaEra™

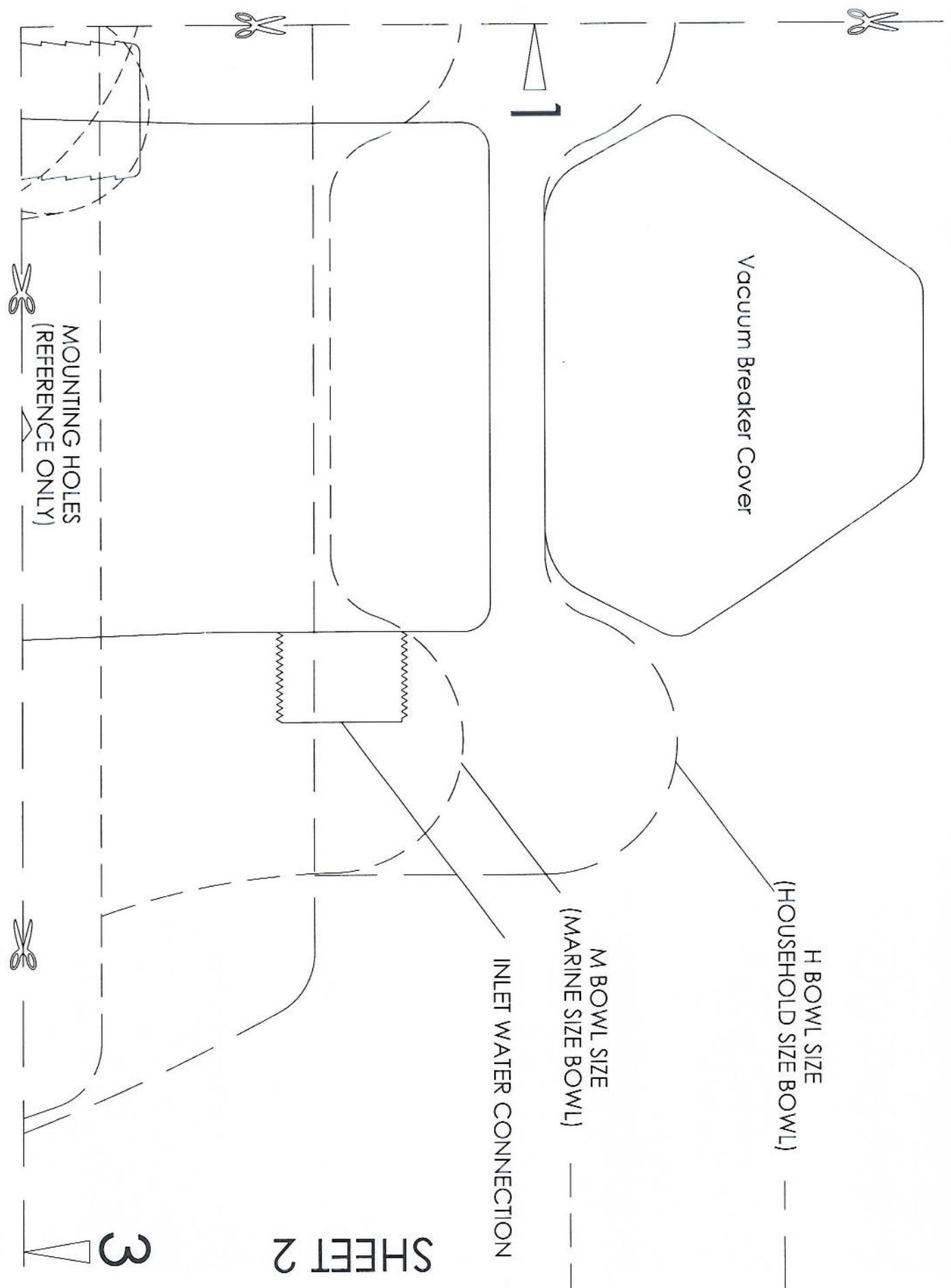
MODELS: 162HF0** AND 162MF0**

** VOLTAGE 12 or 24

THIS TEMPLATE SHOWS THE LOWER BASE ASSEMBLY IN THE STANDARD POSITION AND ROTATED 90 DEGREES.

SHEET 1





Vacuum Breaker Cover

H BOWL SIZE
(HOUSEHOLD SIZE BOWL)

M BOWL SIZE
(MARINE SIZE BOWL)

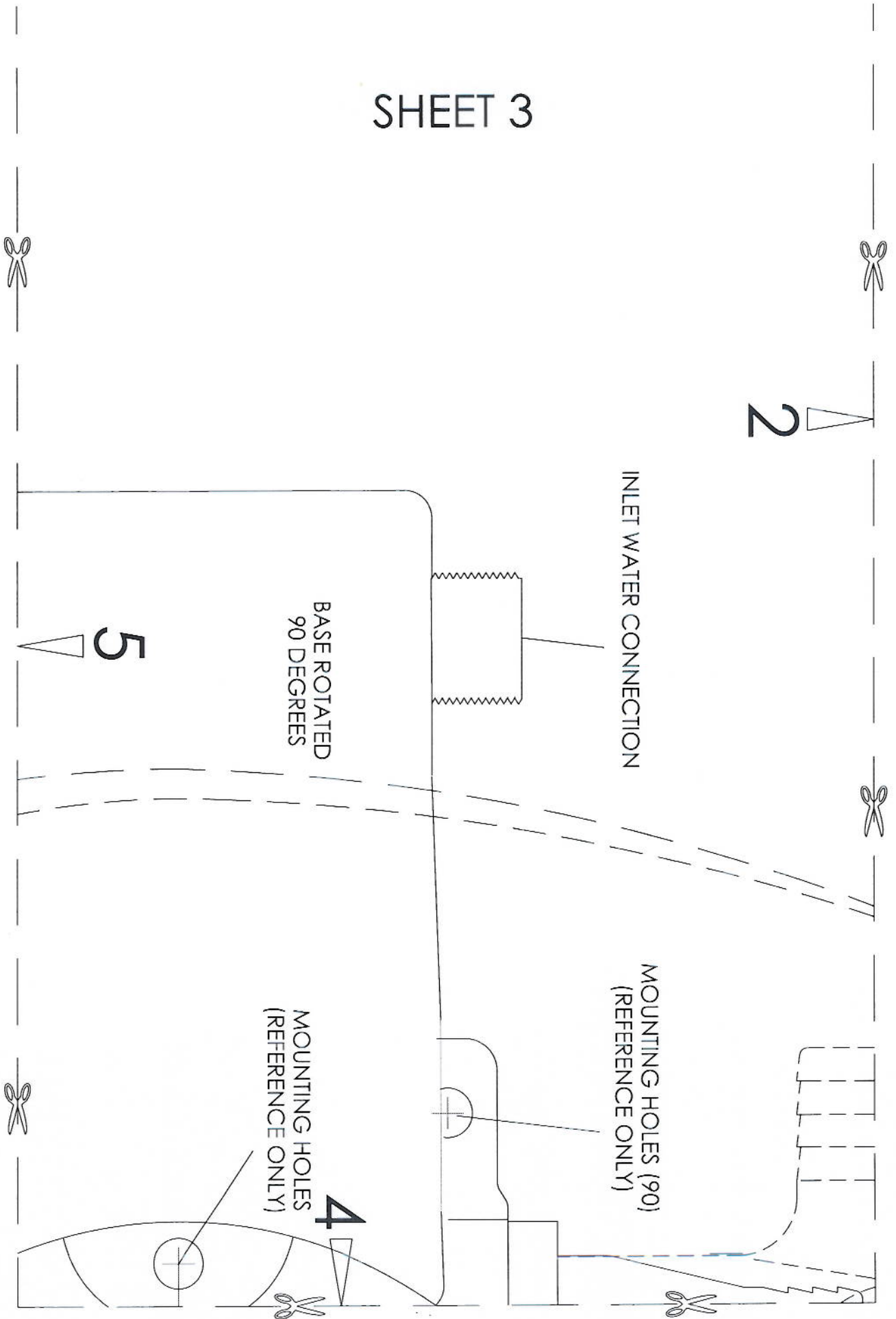
INLET WATER CONNECTION

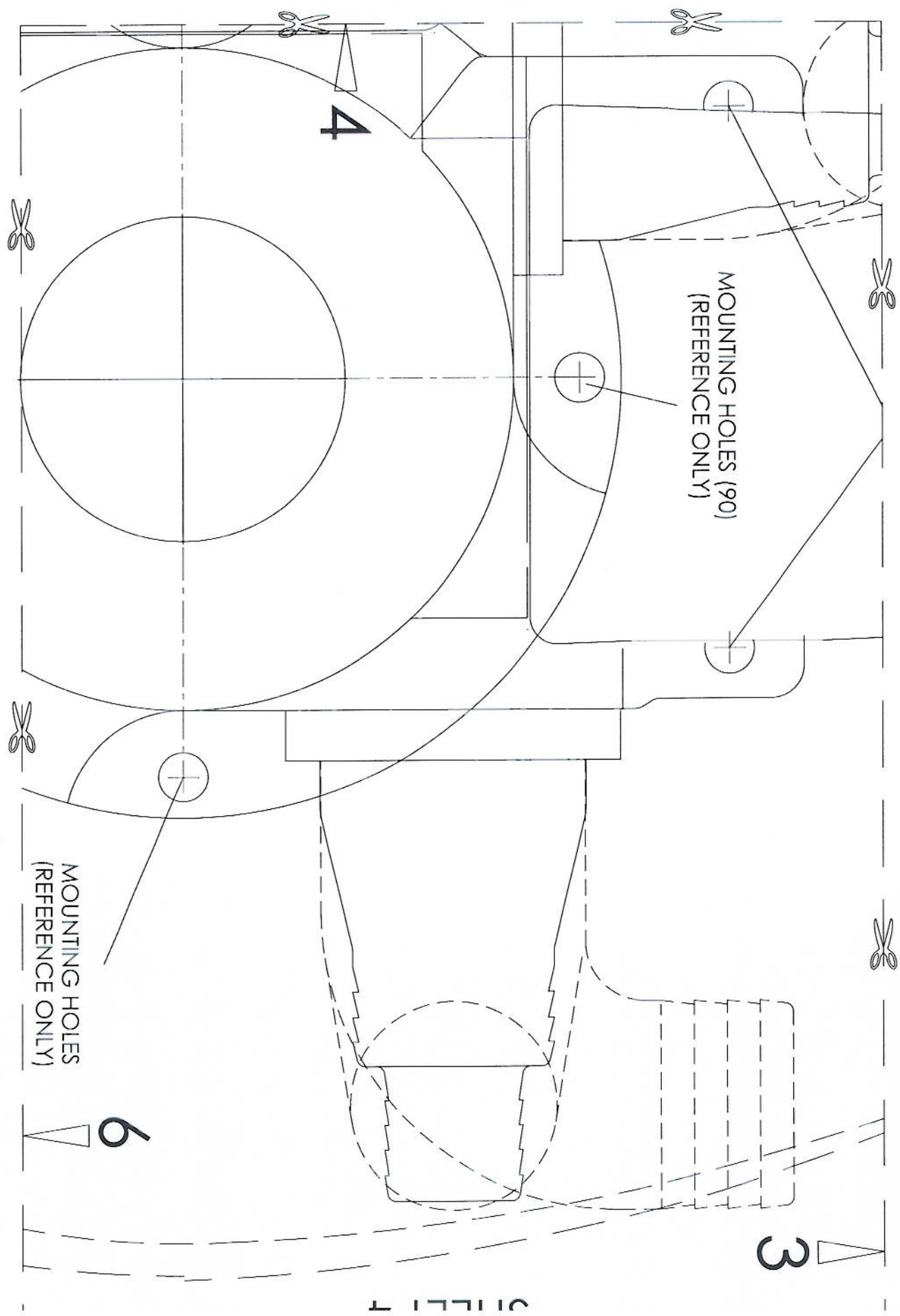
MOUNTING HOLES
(REFERENCE ONLY)

SHEET 2

3

SHEET 3







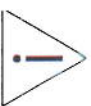
5

MOUNTING HOLES (90)
(REFERENCE ONLY)

SHEET 5

7
[1178]

CHECK POINT



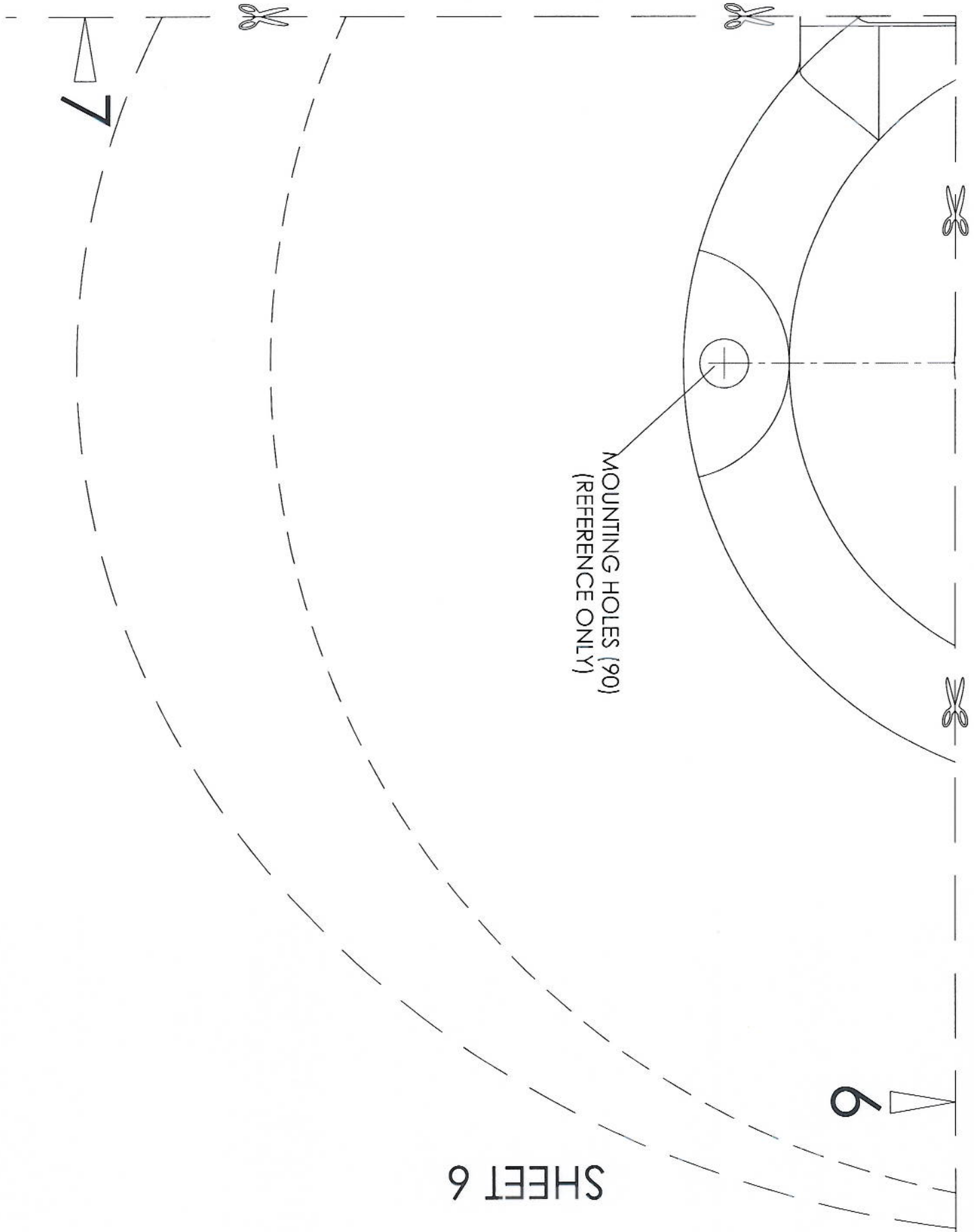
IMPORTANT:

1. DO NOT DRILL OR CUT HOLES FROM THIS TEMPLATE. FOR REFERENCE ONLY,
2. REFER TO INSTALLATION MANUAL FOR INSTALLATION DETAILS.
3. CHINA BOWL DIMENSIONS CAN VARY +/-5%. CONSIDER THIS WHEN INSTALLING.
4. DIMENSIONS ARE: INCHES [MM]



7





MOUNTING HOLES (90)
(REFERENCE ONLY)

SHEET 6