

Water Pump Rebuild Kit Tips

This information assumes work is being completed by an experienced mechanic.

Impeller Replacement:

Replace the impeller proactively. There is nothing worse than motoring up a lee shore and having the engine start to overheat. Symptoms of a defective impeller are low pumping pressure and low flow causing the engine to overheat. Old impellers lose their elasticity and may have taken a set if left in the pump over the winter. To replace the impeller, remove screws and cover and pull out the impeller with nose pliers or two screwdrivers.

Be careful not to dent the pumping chamber with your tools. When inserting new Sherwood impeller, line up key slot in the impeller with the key in the shaft. In the case of an Oberdorfer pump, align the flat on the impeller with the flat on the shaft. Use lubricant on the shaft and avoid forcing the impeller onto the shaft.

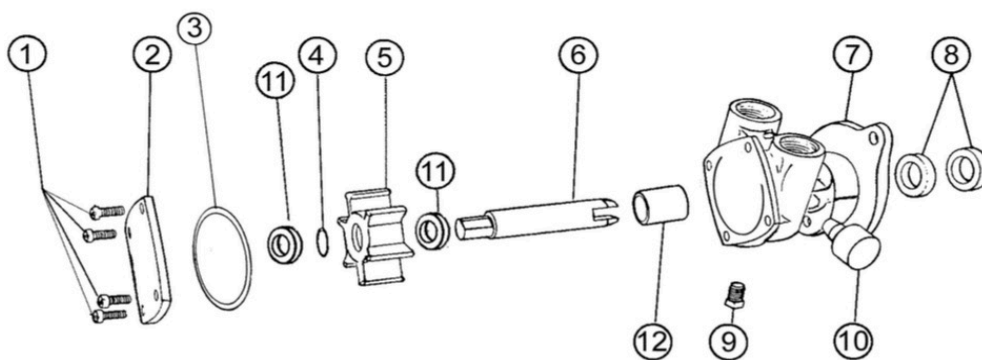
The impeller should be removed for storage periods to prevent the blades from taking a permanent set.

On initial startup, the impeller vanes must be lubricated to prevent damage. You can use glycerin, or even liquid dish soap for this purpose.

For Oberdorfer Pumps:

Early versions used a gasket, whereas later versions use an O-ring. Replace like for like before reinstalling the cover plate. Notice that our kit does not include the shaft or carbon bushing. It is difficult to successfully replace the bushing. Given the added expense, if these parts are worn, it is time to replace the pump.

Oberdorfer Exploded View

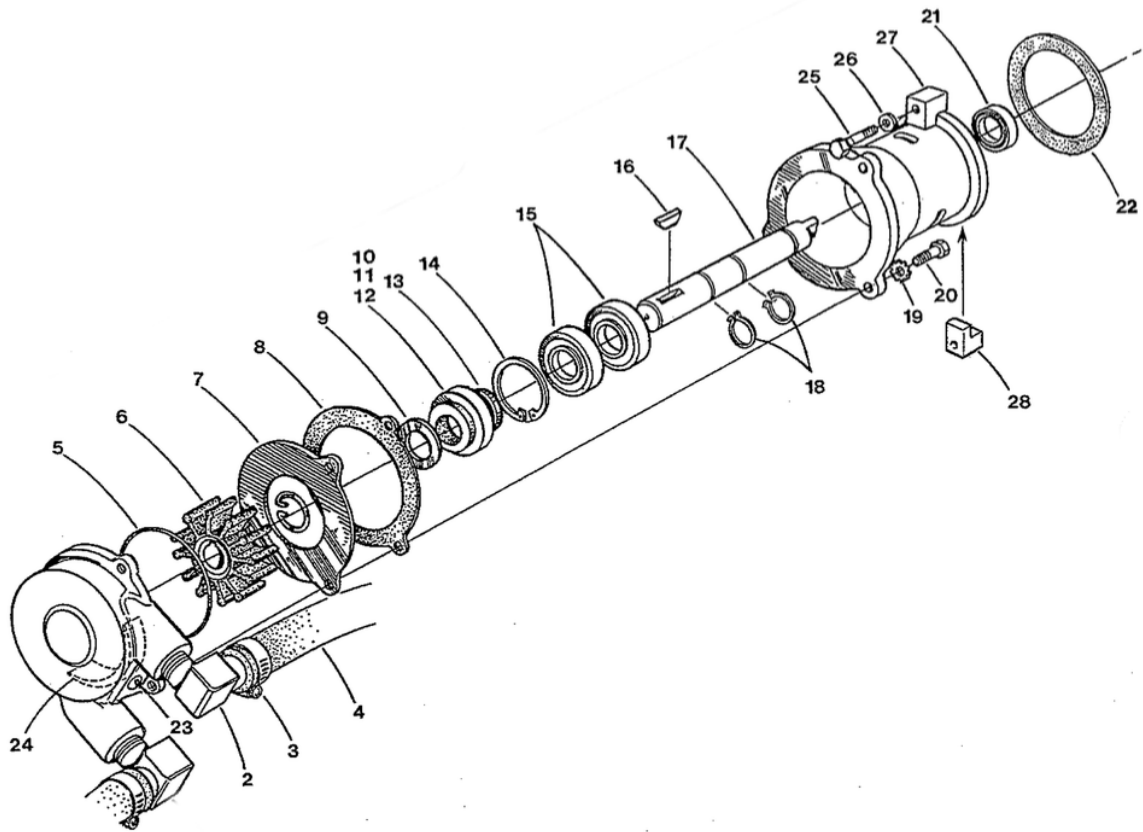


Item	1	2	3	4	5	6	7	8	9	10	11	12	Not Pictured
Name	Screw	Cover	O-Ring / Gasket	Snap Ring	Impeller	Shaft	Body	Lip Seal	Plug	Grease Cup	Washer	Carbon Bushing	Mounting Gasket
Std Qty	4	1	1	1	1	1	1	2	1	N/A	2	1	1
Included			1 ea	1	1			2			2		1

For Sherwood Pumps:

Oberdorfer pumps use a carbon bushing as the only bearing. Sherwood pumps have more robust roller bearings. But the roller bearings present a different problem. Monitor your pump for leaks. If there is enough leakage to be visible, you are already late. Water will begin to be leak into the bearings and the bearings will rust. Wait long enough and the bearings will seize causing catastrophic failure of the pump. Rebuild early and the pump will last over several re-builds.

Sherwood Exploded View



Item	2	3	4	5	6	7	8	9	10	11	12	13	14	15
Name	Elbow	Clamp	Hose	O-Ring	Impeller	Plate	Gasket	Washer	Seal	Seat	Seal	Slinger	Snap Ring	Bearing
Std Qty	1	1	26	1	1	1	1	1	1	1	1	1	1	2
Included In Kit				2	1		1		1	1	1		1	2
Item	16	17	18	19	20	21	22	23	24	25	26	27	28	
Name	Key	Shaft	Ring*	Lock Washer	Cap Screw	Seal	Gasket	Screw	Cam	Cap Screw	Lock Washer	Clamp	Clamp	
Std Qty	1	1	3	3	3	1	1	1	1	2	2	1	1	
Included In Kit			3			1	1							

*Note: One of these Cir-Clips is not labeled on the drawing but is depicted in the center of Plate 7