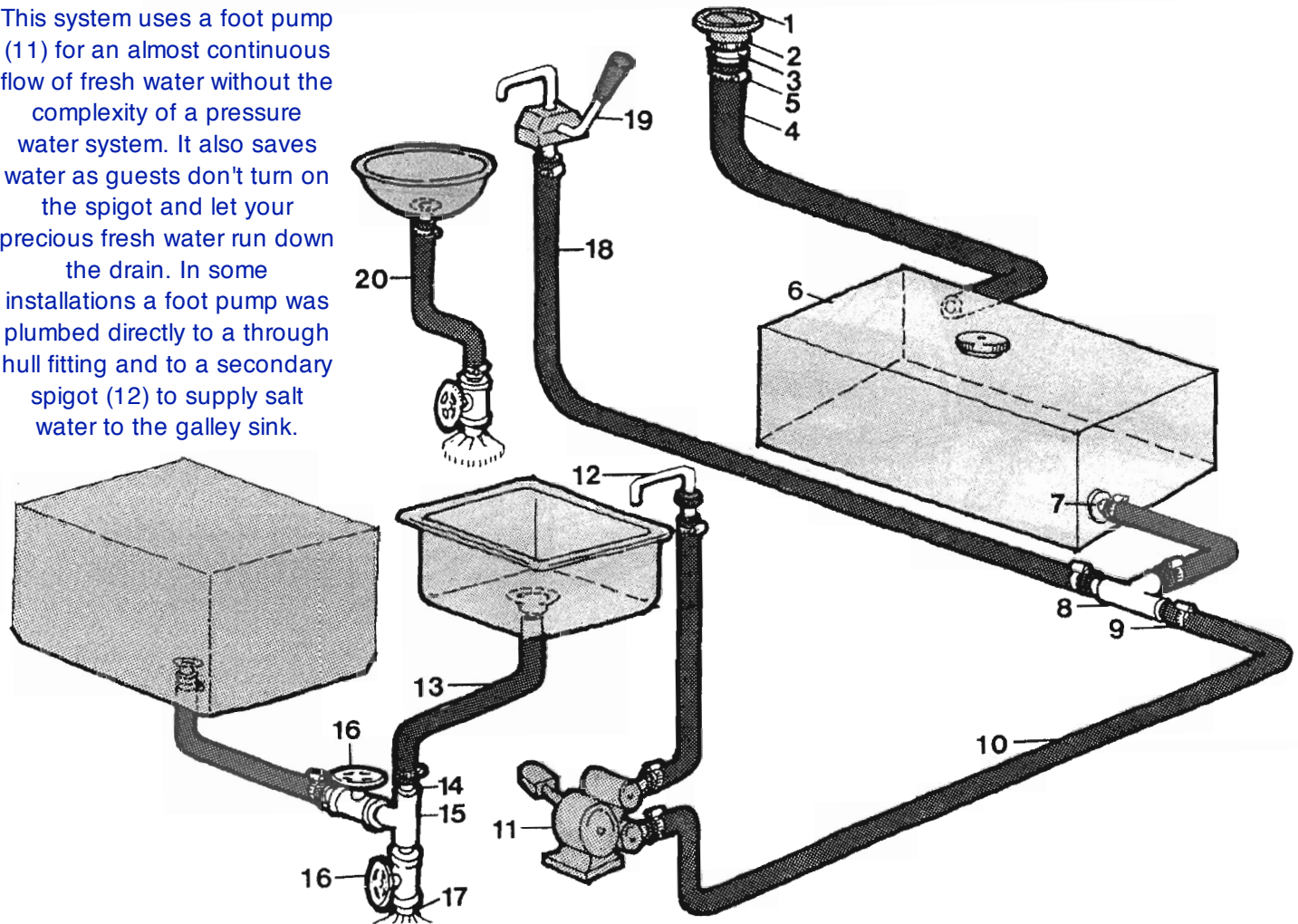


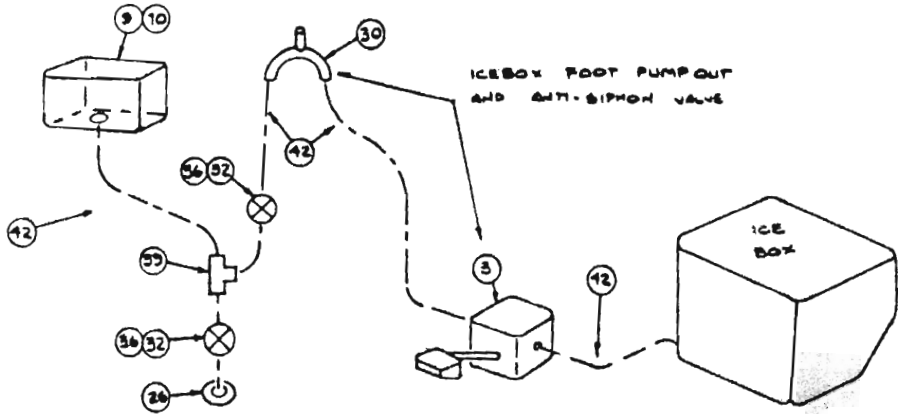
An example of an early system with direct overboard discharge of the ice box through a check valve. The check valve was often a problem. The system was later redesigned to include a foot pump and vented loop to eliminate the check valve.

CATALINA YACHTS INC. 21200 VICTORY BLVD. WOODLAND HILLS, CA
PLUMBING SYSTEM
CATALINA 25 OWNERS MANUAL

This system uses a foot pump (11) for an almost continuous flow of fresh water without the complexity of a pressure water system. It also saves water as guests don't turn on the spigot and let your precious fresh water run down the drain. In some installations a foot pump was plumbed directly to a through hull fitting and to a secondary spigot (12) to supply salt water to the galley sink.



This system drains the ice box with a foot pump (3) and vented loop (30). It drains overboard through a "T" fitting (33) in the galley sink drain. Although more expensive than the check valve, it is more trouble free and prevents salt water from intruding into the box when the boat heels.



GALLEY SINK AND ICEBOX DRAINS
NO SCALE